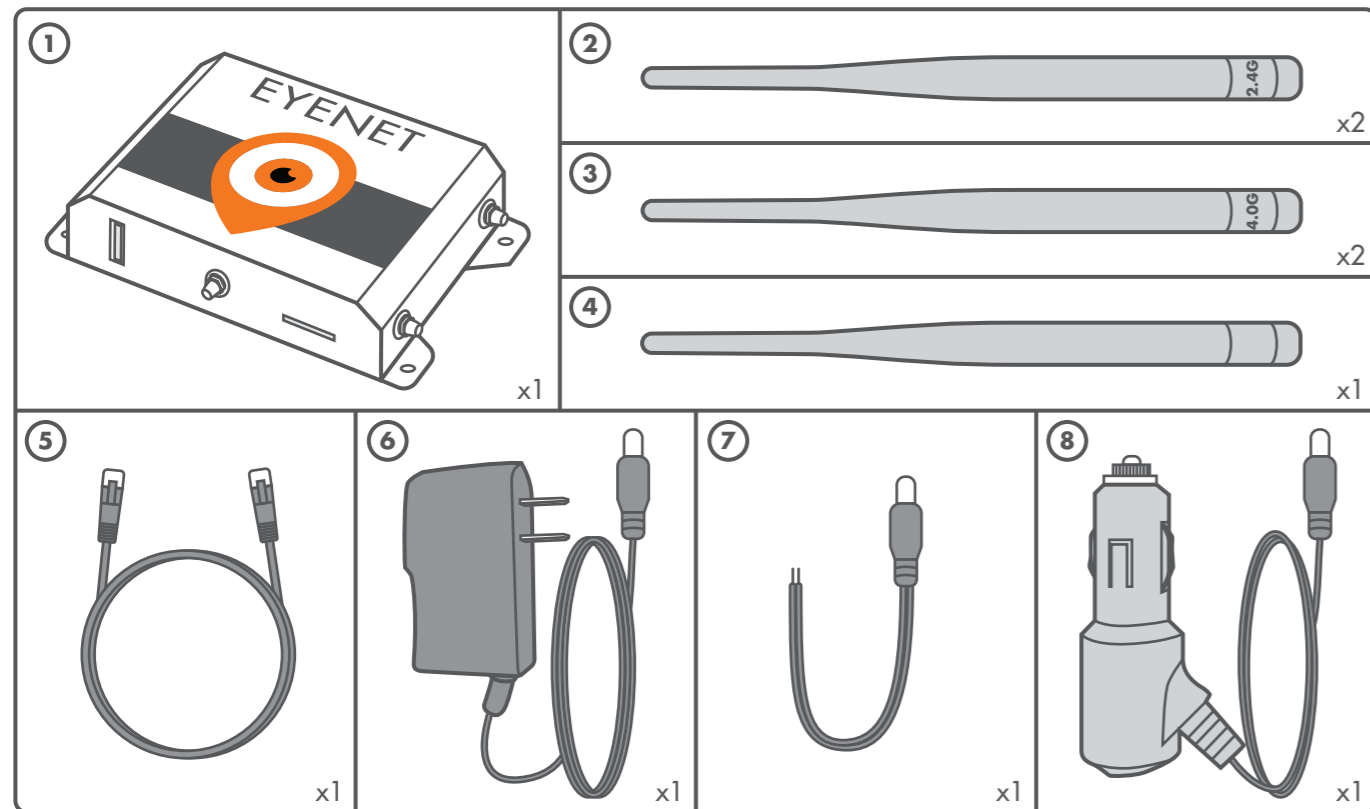
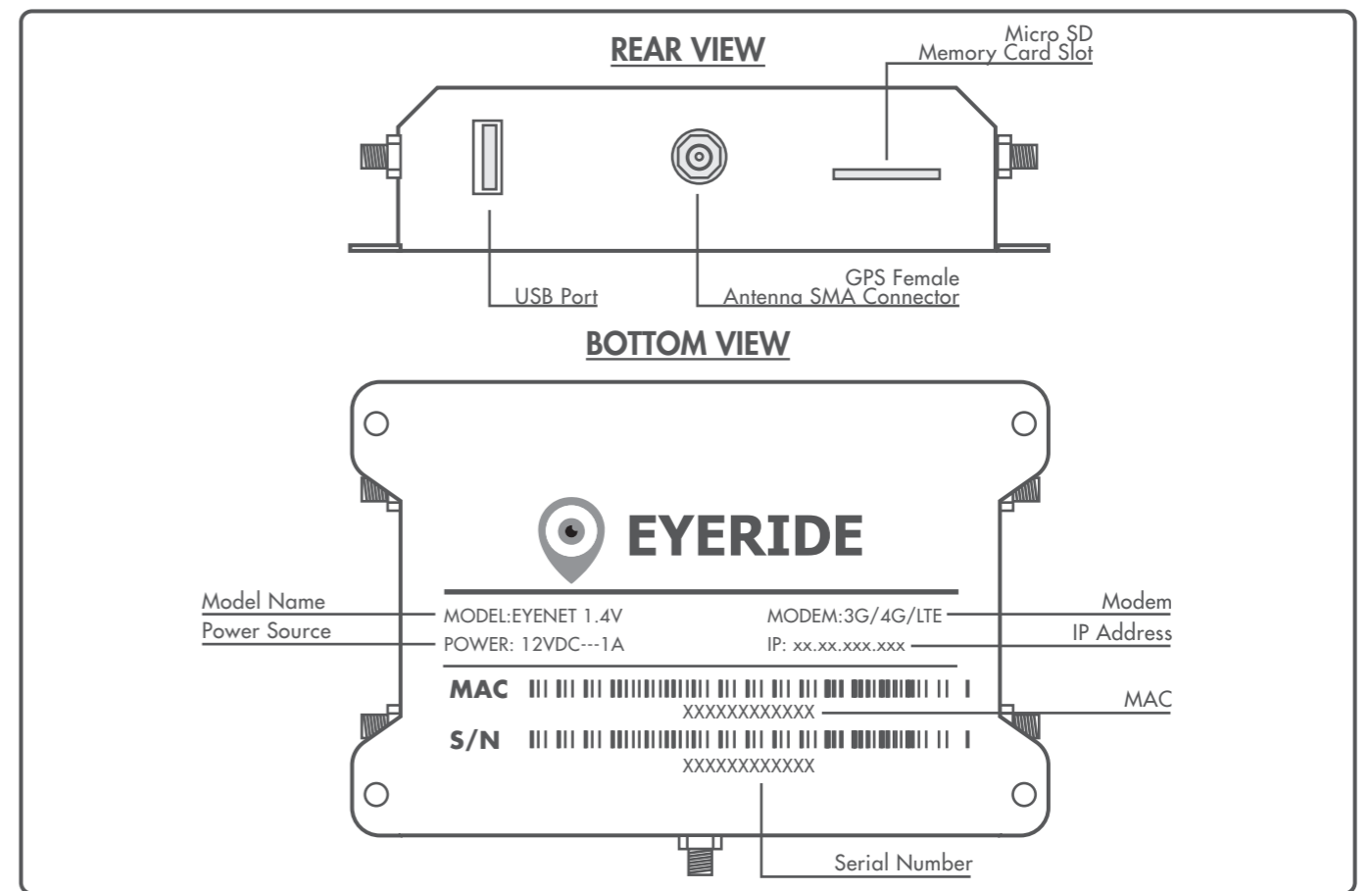
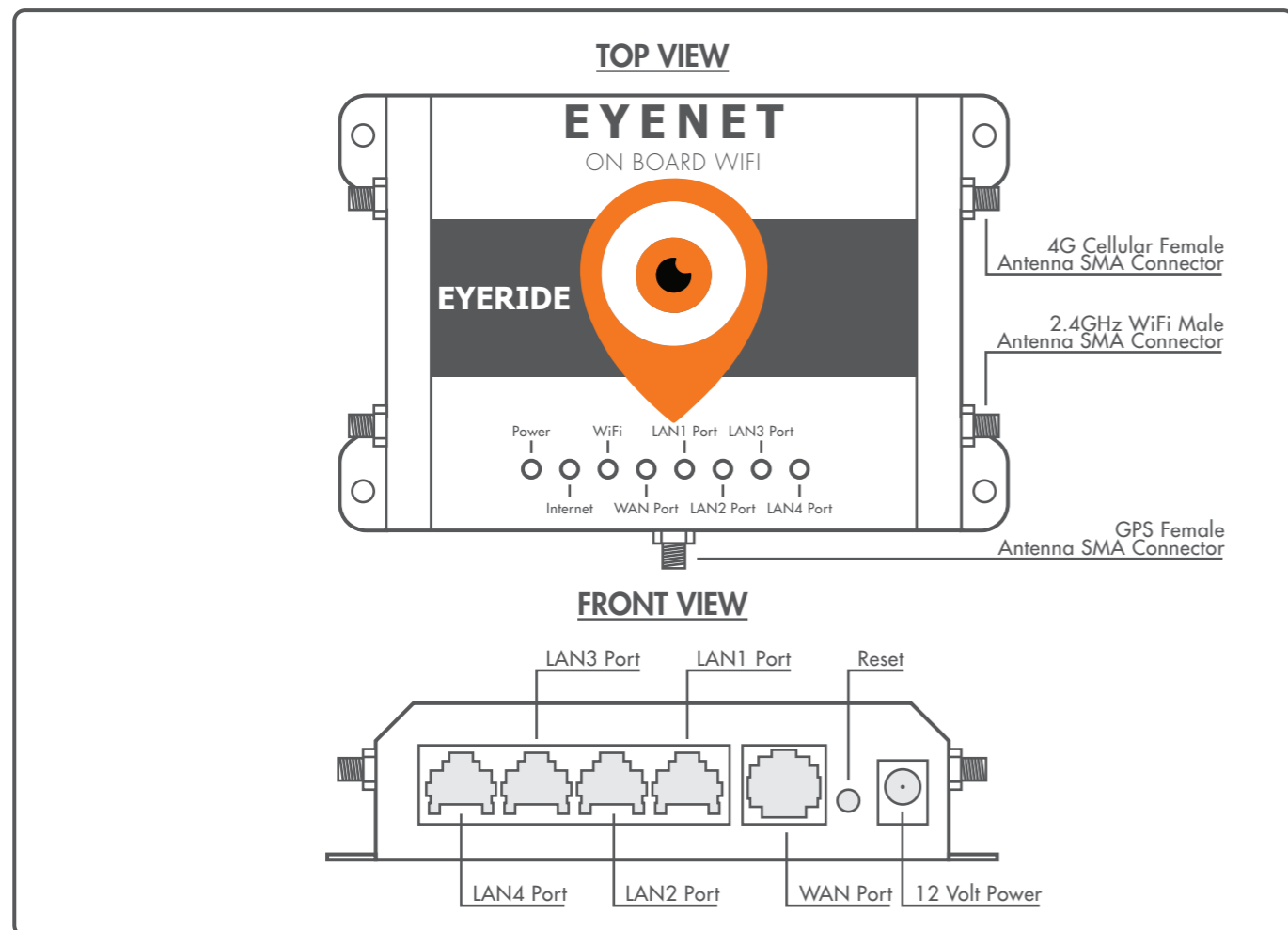


## A. CONTENT

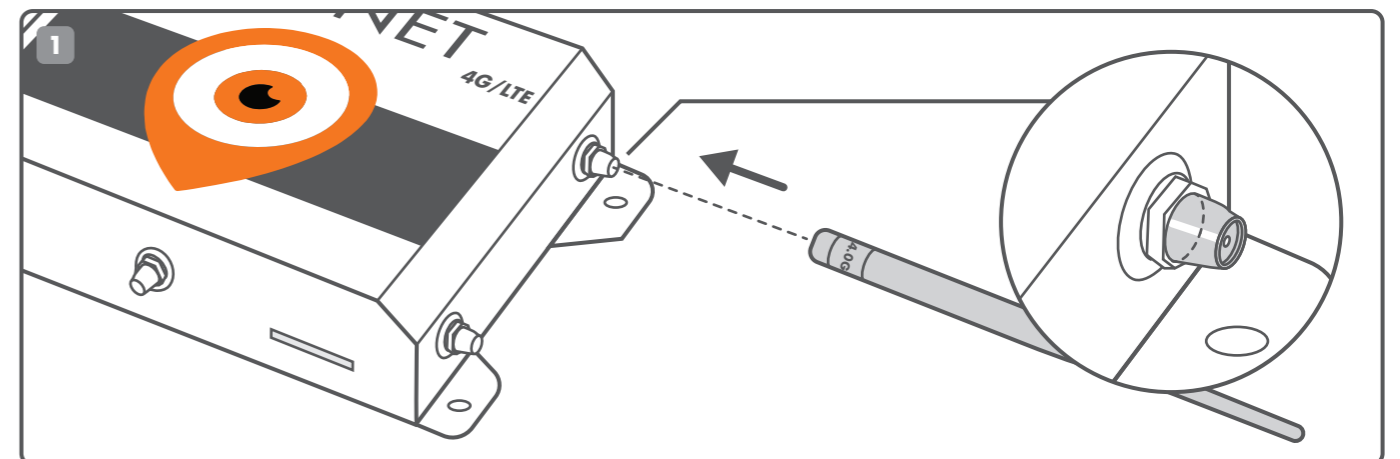


Part1: EyeNet Router, Part2: 2.4GHz Female SMA WiFi Antennas x2, Part3: 4.0GHz Male SMA Cellular Antennas x2, Part4: 4.0GHz Male SMA Cellular Antennas (GPS), Part5: Ethernet Network Cable, Part6: 12 Volt DC Power Adapter, Part7: 12 Volt DC Power Pigtail, Part8: 12 Volt Car Plug Power Adapter (Optional).

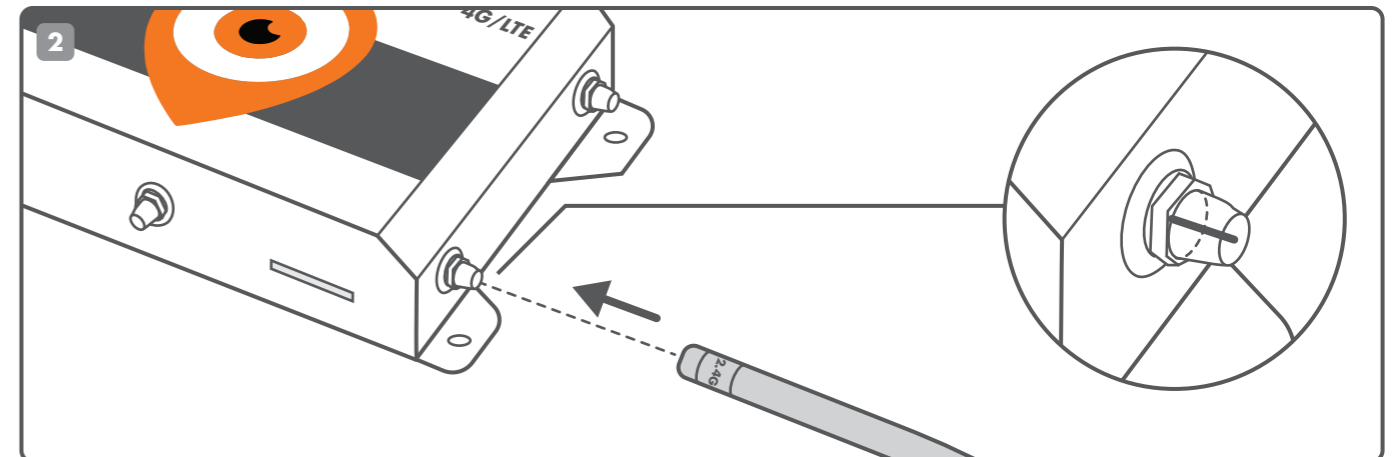
## B. EYENET ROUTER



## C. CONNECTING THE SMA ANTENNA CONNECTORS

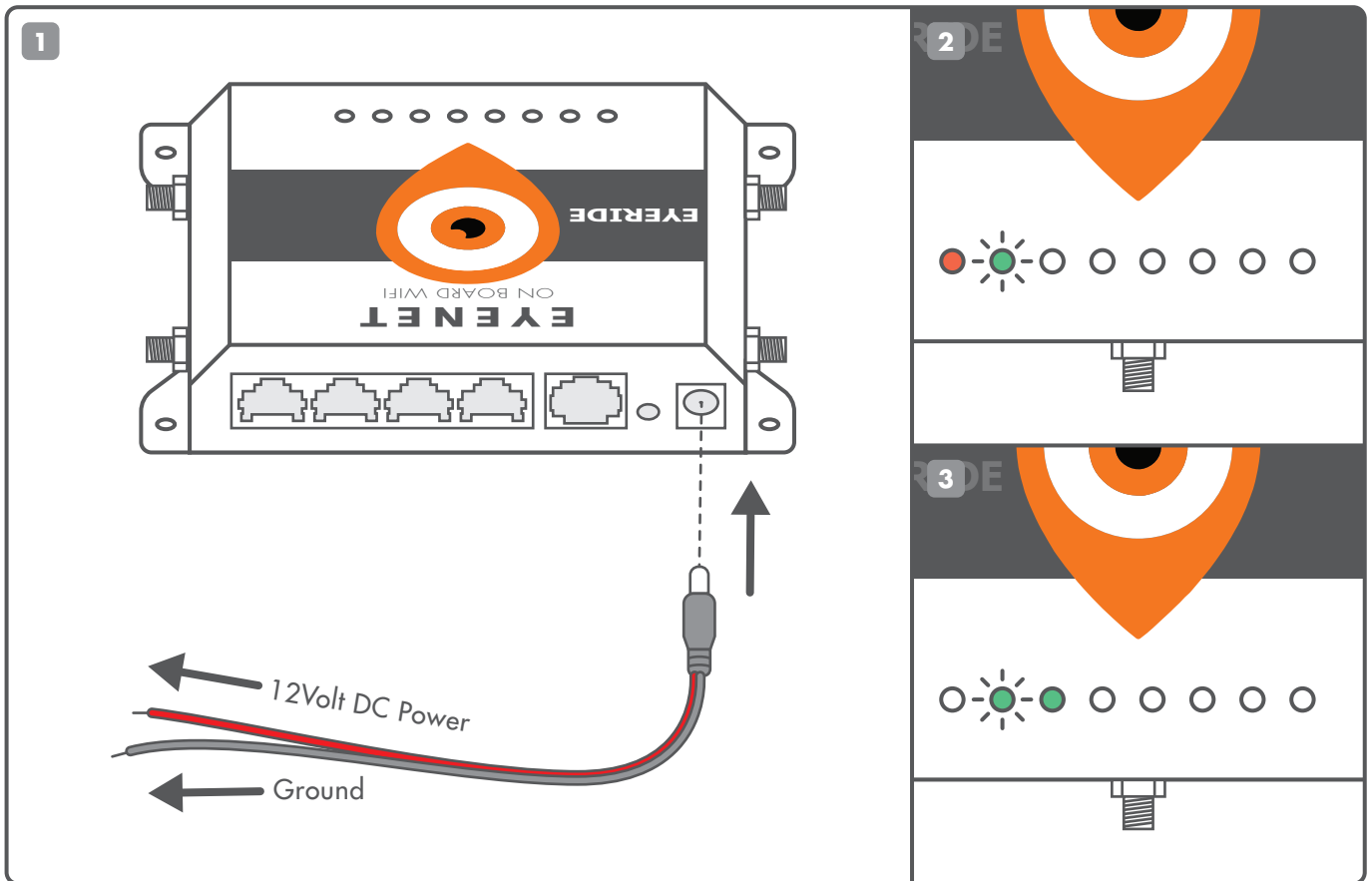


1. The Antennas are all the same size. However, the two 4G cellular Antennas and one GPS antenna at the front are male and screw onto the female connector.



2. The two 2.5GHz WiFi antennas are female and screw onto the pinned male connector.

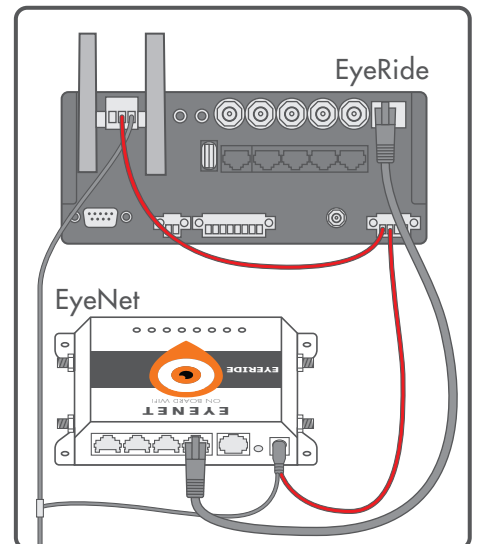
## D. POWER ON THE EYENET ROUTER



1. Plugging in the included "power pigtail" connector. The red wire must be connected to 12 Volt DC Power. Connecting to ignition is recommended. The black wire must be connected to ground.
2. Once you have power on the EyeNet, Power light will turn red and Internet light will started to blink.
3. When the Power light is off and WiFi light is on, your EyeNet is ready to use.

## E. CONNECTING THE EYENET TO EYERIDE

1. Run 12Volts power to the first slot of Out1.
2. Connect the red wire from the EyeNet's power pigtail to the second slot of "Out1." This will ensure the EyeNet and the Eye Ride are on the same power schedule.
3. Connect the Ethernet Cable from the one of the internal yellow ports on the back of the EyeNet to the "Ethernet" port on the top right of the EyeRide.



## F. CONNECTING TO INTERNET

Once powered up, connect to the WiFi SSID provided to your by your EyeRide Technician. There will be no password by default, although you must click the Accept Terms and Conditions on the splash page which will come up automatically.

