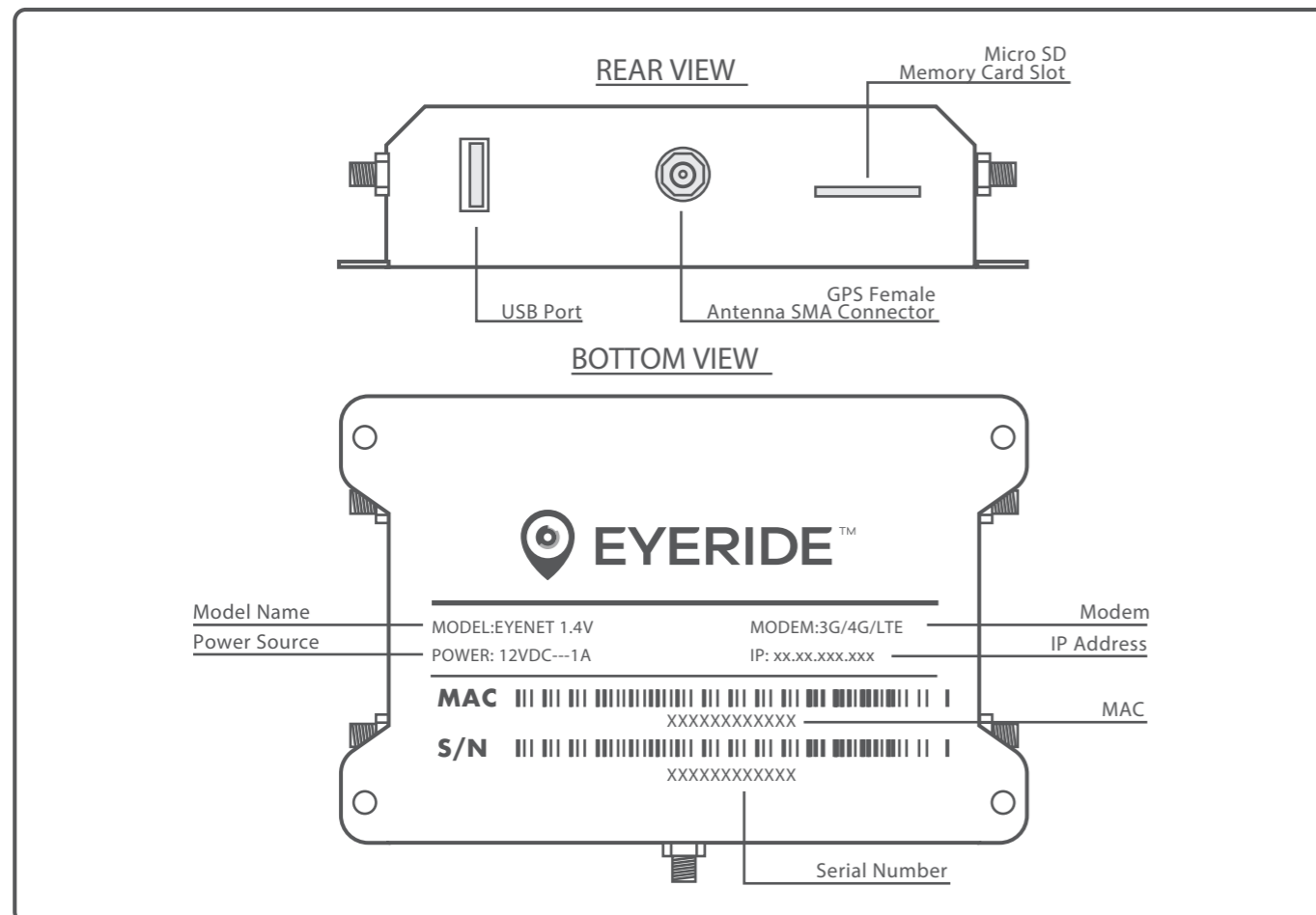
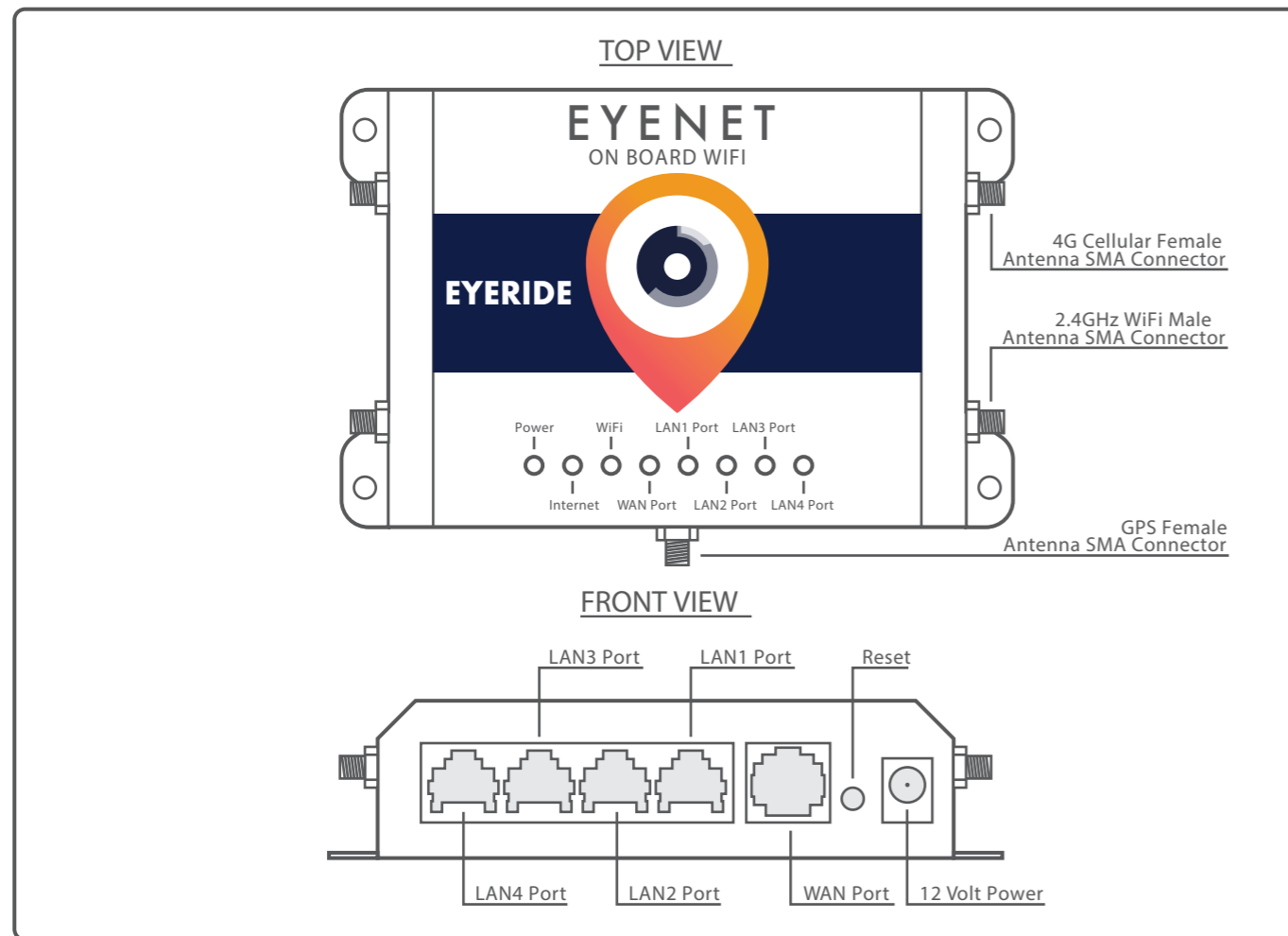
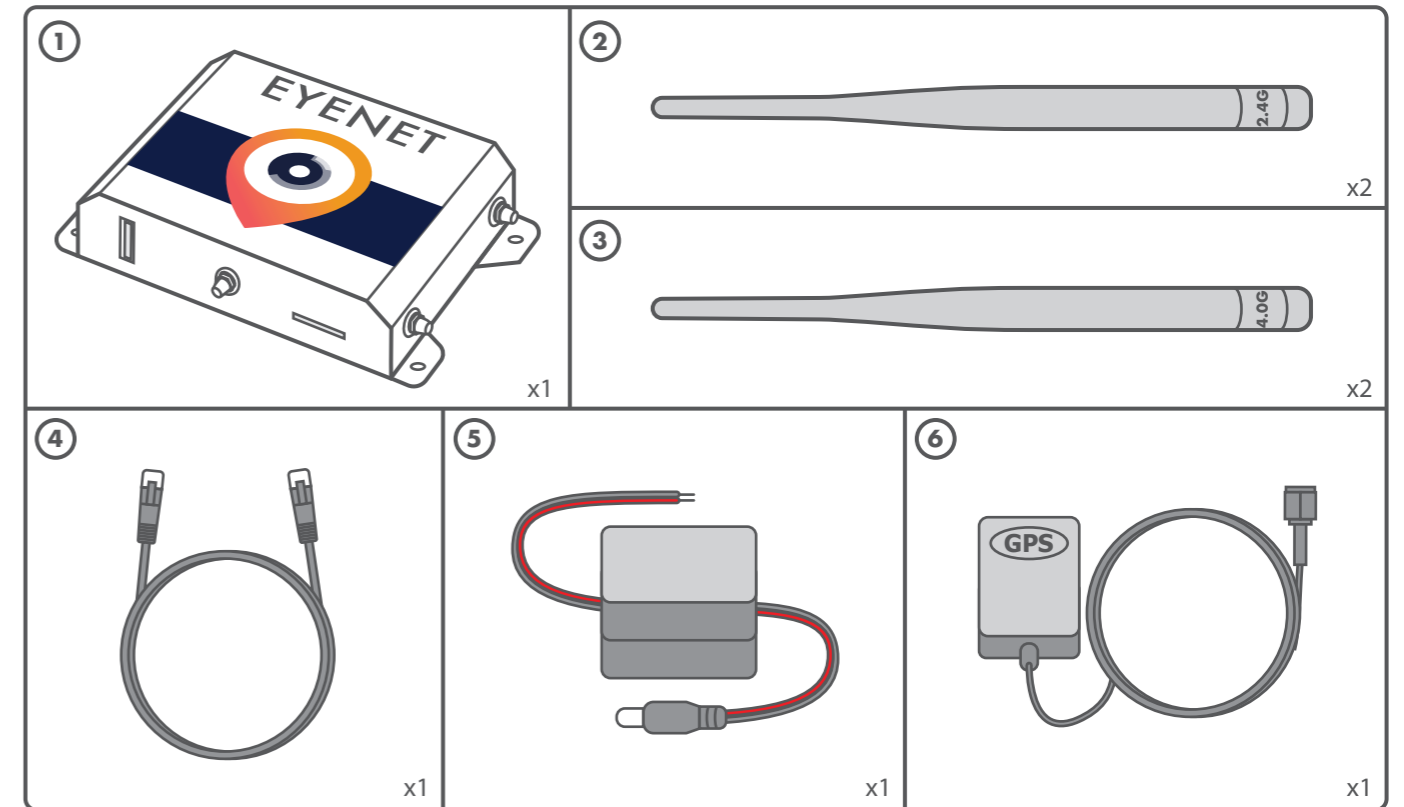


A. EYENET ROUTER

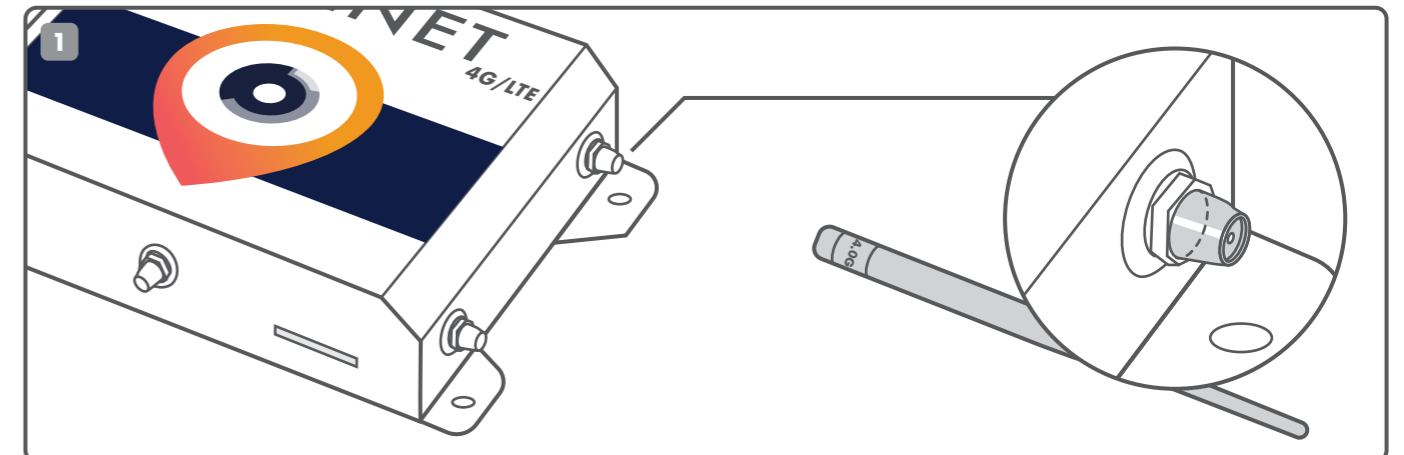


B. CONTENT

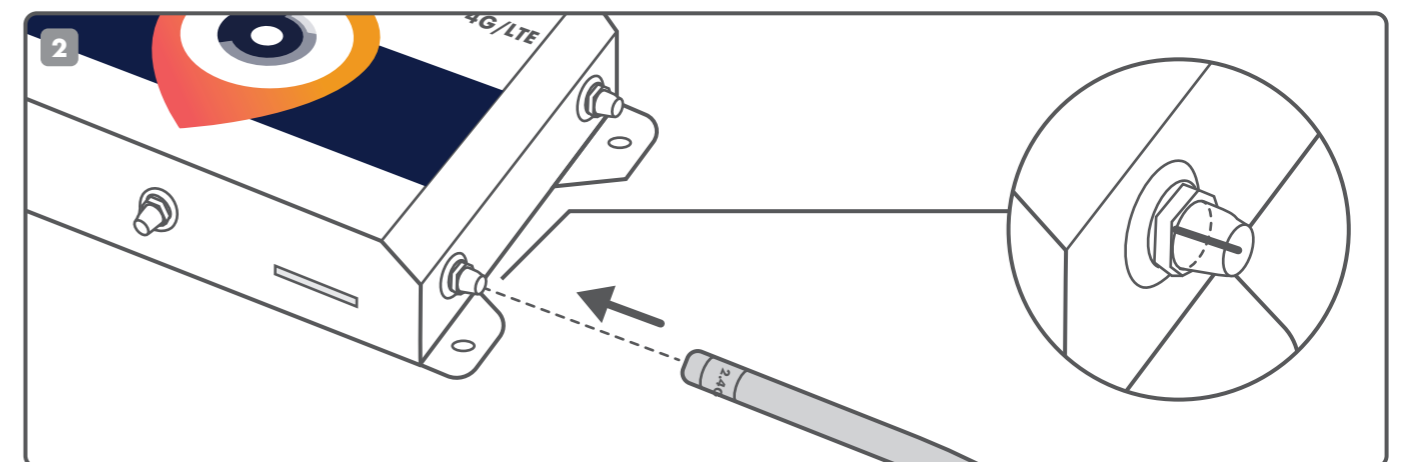


Part 1: EyeNet Router, Part 2: 2.4GHz Female SMA WiFi Antennas x2, Part 3: 4.0GHz Male SMA Cellular Antennas x2, Part 4: Ethernet Network Cable. Part 5: Power Adapter - 9-36V input, 12V output, Part 6: GPS Antenna with Male SMA Connector

C. CONNECTING THE SMA ANTENNA CONNECTORS

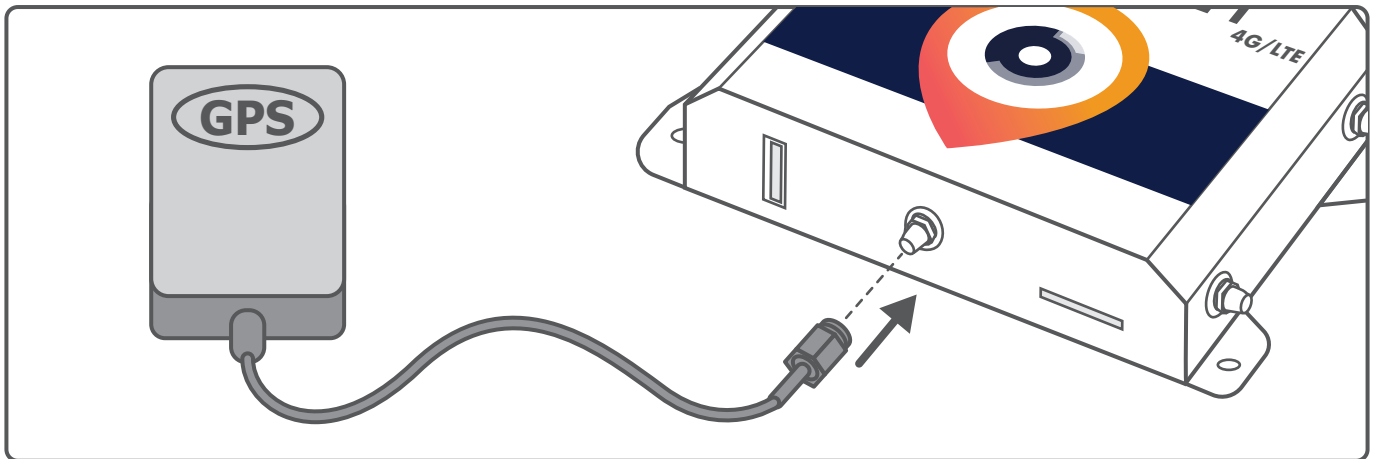


1. The Antennas are all the same size. However, the two 4G cellular Antennas and one GPS antenna at the front are male and screw onto the female connector.



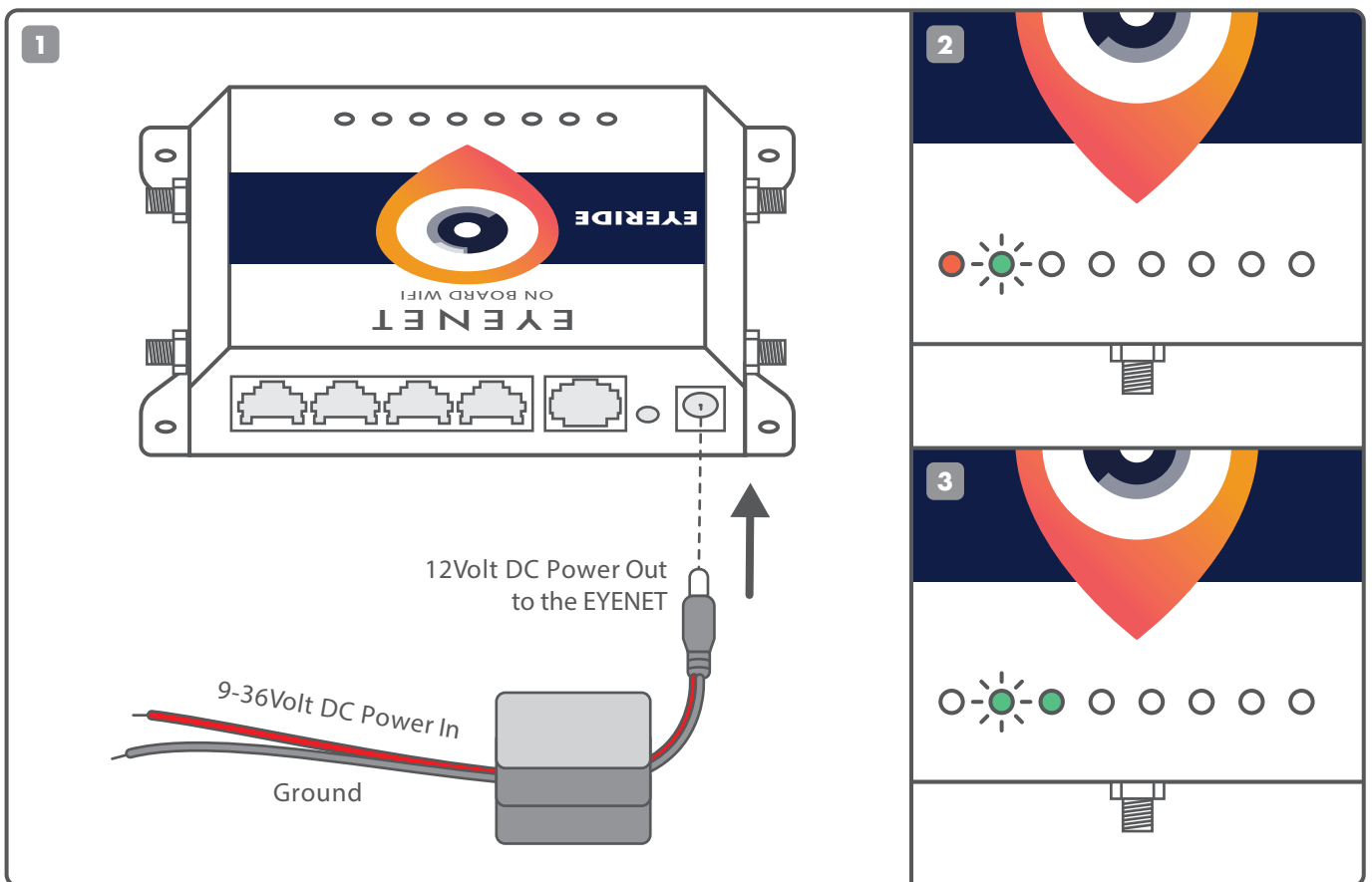
2. The two 2.5GHz WiFi antennas are female and screw onto the pinned male connector.

D. CONNECTING THE GPS ANTENNA



Screw the Male GPS Antenna Cable onto the Female Rear GPS connector. GPS box should be placed high in the vehicle with clear line of sight to ensure best possible connectivity. On the dashboard or on the windshield for example.

E. POWER ON THE EYENET ROUTER



1. Plugging in the included “power pigtail” connector. The red wire must be connected to 12 Volt DC Power. Connecting to ignition is recommended. The black wire must be connected to ground.

2. Once you have power on the EyeNet, Power light will turn red and Internet light will start to blink.

3. When the Power light is off and WiFi light is on, your EyeNet is ready to use.

F. CONNECTING TO INTERNET

Once powered up, connect to the WiFi SSID provided to you by your EyeRide Technician. There will be no password by default, although you must click the Accept Terms and Conditions on the splash page which will come up automatically.

